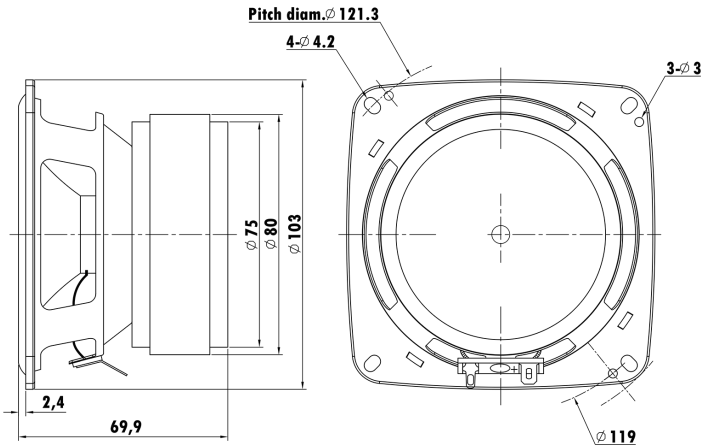


4", Steel Frame
1" EISVW Voice Coil, Al Former,
Carbon Cone, Rubber Surround
Strong Ferrite Magnet Motor System



T-S Parameters

Resonance frequency [fs]	99 Hz
Mechanical Q factor [Qms]	5.799
Electrical Q factor [Qes]	0.882
Total Q factor [Qts]	0.765
Force factor [Bl]	5.594 Tm
Mechanical resistance [Rms]	0.694 kg/s
Moving mass [Mms]	6.408 g
Compliance [Cms]	0.399 mm/N
Effective diaph. diameter [D]	82 mm
Effective piston area [Sd]	52.8 cm ²
Equivalent volume [Vas]	1.573 l
Sensitivity (2.83V/1m)	83 dB
Ratio Bl/√Re	2.14 N/√W
Ratio fs/Qts	129.41 Hz

Electrical Data

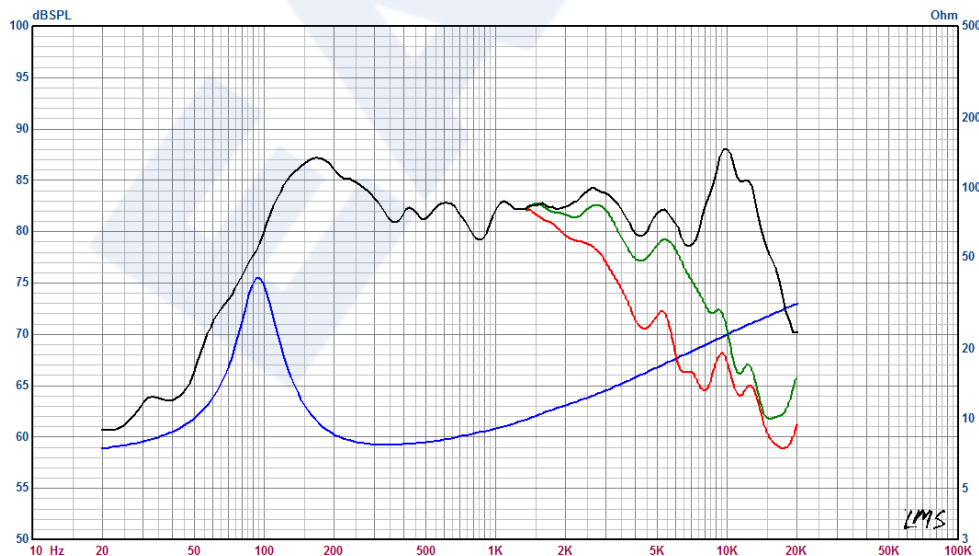
Nominal impedance [Zn]	8 Ω
Minimum impedance [Zmin]	7.4 Ω
Maximum impedance [Zo]	43 Ω
DC resistance [Re]	6.88 Ω
Voice coil inductance [Le]	0.317 mH

Power Handling

100h RMS noise test (IEC 17.1)	15 W
Long-term max power (IEC 17.3)	- W

Voice Coil & Magnet Data

Voice coil diameter	25.4 mm
Voice coil height	7.7 mm
Voice coil layers	2
Height of gap	6 mm
Linear excursion	± 0.85 mm
Max mech. excursion	± - mm
Unit weight	0.907 kg



- 60° Off- axis
- 30° Off- axis
- On - axis