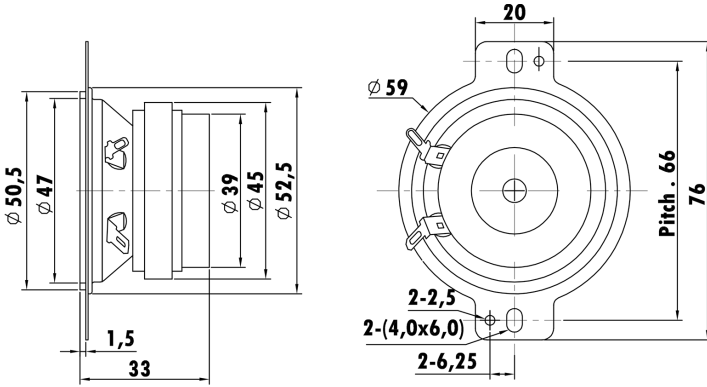


2", Steel Frame
0.5" EISVW Voice Coil, Al Former
Paper Cone
Dual Ferrite Magnet Motor System
With Ferrofluid-Cooled 4000 Cps



T-S Parameters

Resonance frequency [fs]	1786 Hz
Mechanical Q factor [Qms]	0.423
Electrical Q factor [Qes]	3.519
Total Q factor [Qts]	0.378
Force factor [Bl]	3.726 Tm
Mechanical resistance [Rms]	10.079 kg/s
Moving mass [Mms]	0.380 g
Compliance [Cms]	0.021- mm/N
Effective diaph. diameter [D]	43 mm
Effective piston area [Sd]	14.52 cm ²
Equivalent volume [Vas]	0.0062 l
Sensitivity (2.83V/1m)	86 dB
Ratio Bl/ \sqrt{Re}	1.10 N/ \sqrt{W}
Ratio fs/Qts	4725 Hz

Electrical Data

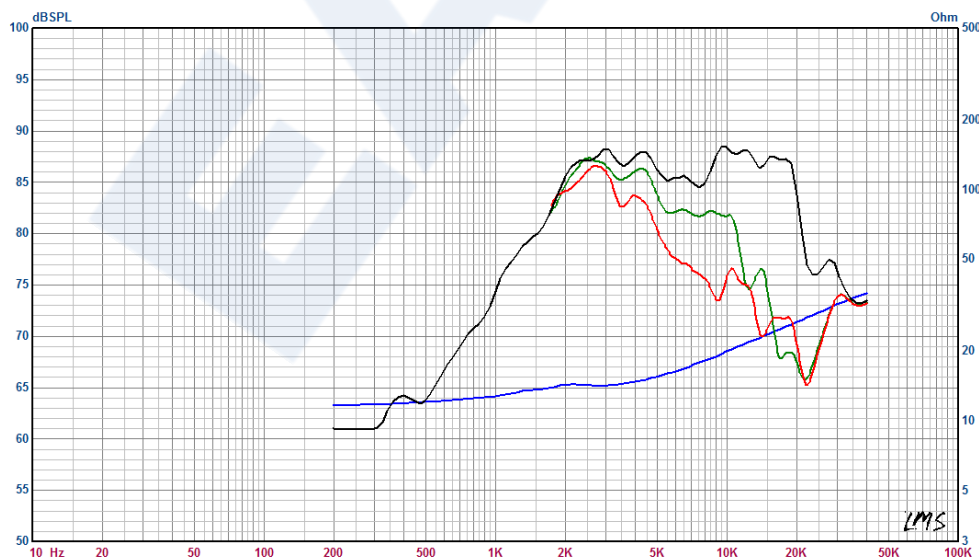
Nominal impedance [Zn]	14 Ω
Minimum impedance [Zmin]	11.65 Ω
Maximum impedance [Zo]	14.39 Ω
DC resistance [Re]	11.45 Ω
Voice coil inductance [Le]	0.122 mH

Power Handling

100h RMS noise test (IEC 17.1)	30 W
Long-term max power (IEC 17.3)	- W

Voice Coil & Magnet Data

Voice coil diameter	13.21 mm
Voice coil height	4.0 mm
Voice coil layers	2
Height of gap	3.2 mm
Linear excursion	± 0.4 mm
Max mech. excursion	\pm - mm
Unit weight	0.156 kg



- 60° Off- axis
- 30° Off- axis
- On - axis