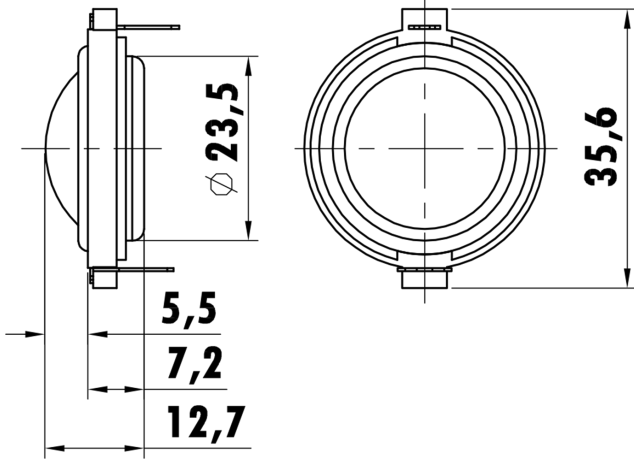


0.8", Plastic Frame
Textile Dome Diaphragm
Neodymium Magnet Motor System
With Ferrofluid-Cooled 1000 cps
Extended Frequency to 35KHz



T-S Parameters

Resonance frequency [fs]	1750 Hz
Mechanical Q factor [Qms]	3.097
Electrical Q factor [Qes]	7.488
Total Q factor [Qts]	2.191
Force factor [Bl]	0.919 Tm
Mechanical resistance [Rms]	0.624 kg/s
Moving mass [Mms]	0.176 g
Compliance [Cms]	0.047 mm/N
Effective diaph. diameter [D]	23.5 mm
Effective piston area [Sd]	4.3 cm ²
Equivalent volume [Vas]	0.0013 l
Sensitivity (2.83V/1m)	87 dB
Ratio Bl/ \sqrt{Re}	0.51 N/ \sqrt{W}
Ratio fs/Qts	799 Hz

Electrical Data

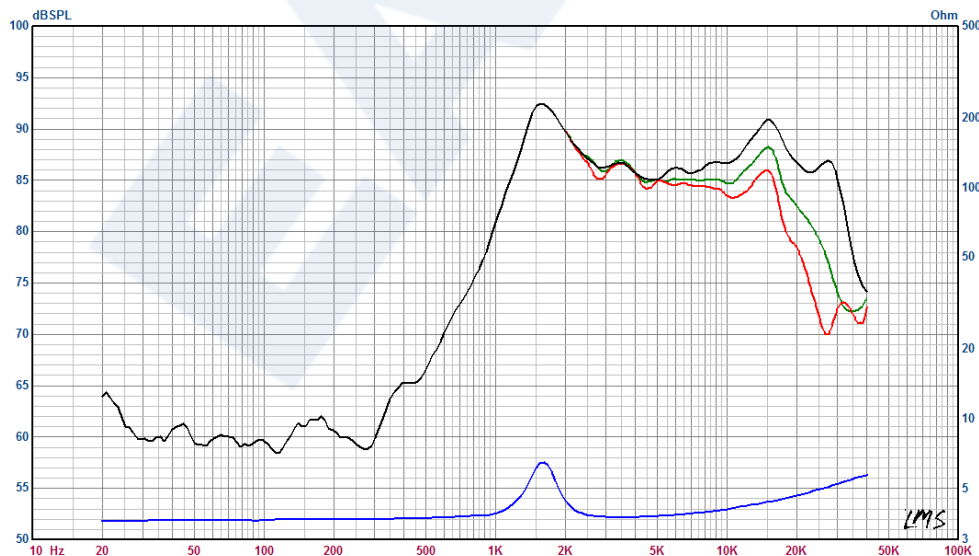
Nominal impedance [Zn]	4 Ω
Minimum impedance [Zmin]	3.7 Ω
Maximum impedance [Zo]	7.0 Ω
DC resistance [Re]	3.3 Ω
Voice coil inductance [Le]	0.017 mH

Power Handling

100h RMS noise test (IEC 17.1)	15 W
Long-term max power (IEC 17.3)	- W

Voice Coil & Magnet Data

Voice coil diameter	19.4 mm
Voice coil height	1.5 mm
Voice coil layers	2
Height of gap	1.5 mm
Linear excursion	± 0 mm
Max mech. excursion	$\pm -$ mm
Unit weight	0.018 kg



- 60° Off- axis
- 30° Off- axis
- On - axis