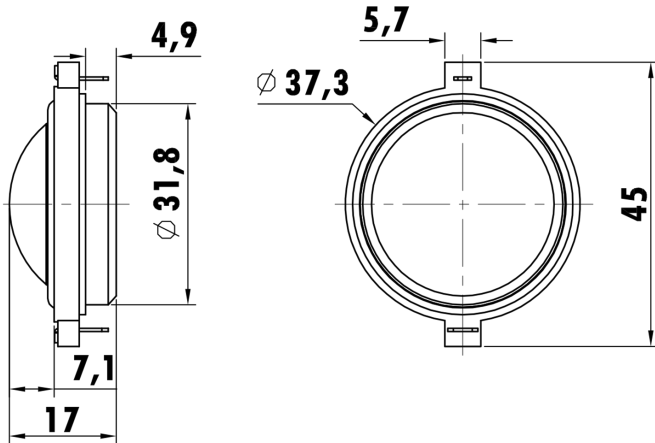


1", Plastic Frame
Textile Dome Diaphragm
With Ferrofluid-Cooled 4000cps
Dual Neodymium Magnet Motor System
Sound Absorber on the Pole
High Sensitivity, Low Distortion(<3%)



T-S Parameters

Resonance frequency [fs]	2000 Hz
Mechanical Q factor [Qms]	0.64
Electrical Q factor [Qes]	2.24
Total Q factor [Qts]	0.50
Force factor [Bl]	2.00 Tm
Mechanical resistance [Rms]	4.83 kg/s
Moving mass [Mms]	0.24 g
Compliance [Cms]	0.03 mm/N
Effective diaph. diameter [D]	29.8 mm
Effective piston area [Sd]	7.0 cm ²
Equivalent volume [Vas]	0.0017 l
Sensitivity (2.83V/1m)	93 dB
Ratio Bl/√Re	1.18 N/√W
Ratio fs/Qts	4000 Hz

Electrical Data

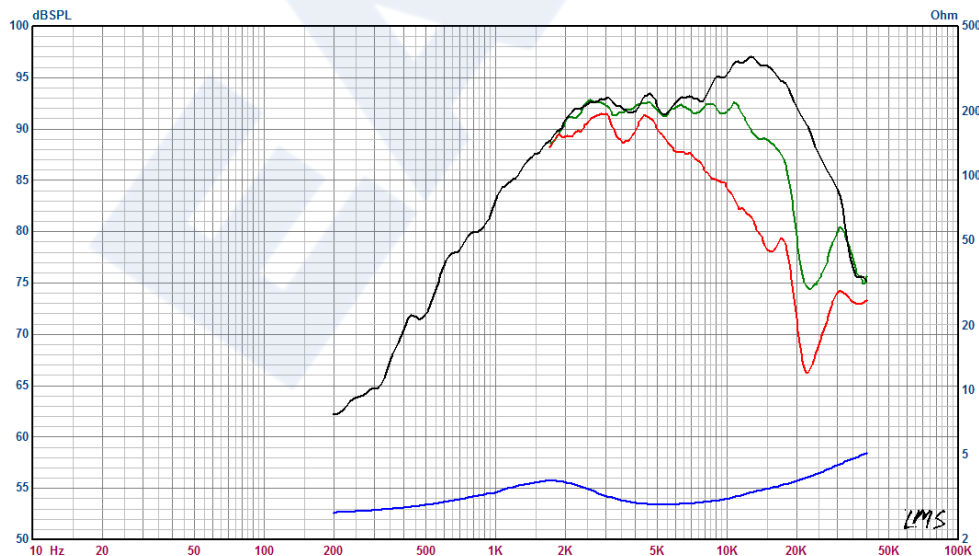
Nominal impedance [Zn]	3 Ω
Minimum impedance [Zmin]	2.7 Ω
Maximum impedance [Zo]	3.8 Ω
DC resistance [Re]	2.9 Ω
Voice coil inductance [Le]	0.02 mH

Power Handling

100h RMS noise test (IEC 17.1)	20 W
Long-term max power (IEC 17.3)	- W

Voice Coil & Magnet Data

Voice coil diameter	25.4 mm
Voice coil height	1.9 mm
Voice coil layers	2
Height of gap	2 mm
Linear excursion	± 0.05 mm
Max mech. excursion	± mm
Unit weight	0.0534 kg



- 60° Off- axis
- 30° Off- axis
- On - axis