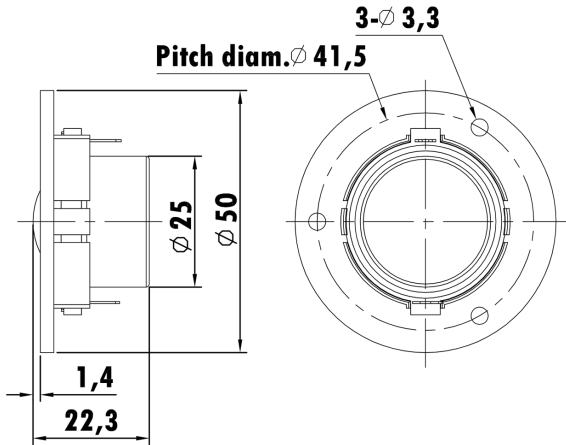


0.8", Plastic Face Plate  
0.8" CCAW Voice Coil, Al Former  
Textile Dome Diaphragm  
Neodymium Magnet Motor System  
With Ferrofluid-Cooled 200 Cps  
With Al Chamber



### T-S Parameters

Resonance frequency [fs]	1110 Hz
Mechanical Q factor [Qms]	2.4
Electrical Q factor [Qes]	4.57
Total Q factor [Qts]	1.61
Force factor [Bl]	1.9 Tm
Mechanical resistance [Rms]	0.905 kg/s
Moving mass [Mms]	0.323 g
Compliance [Cms]	0.064 mm/N
Effective diaph. diameter [D]	24 mm
Effective piston area [Sd]	4.52 cm <sup>2</sup>
Equivalent volume [Vas]	0.0018 l
Sensitivity (2.83V/1m)	84 dB
Ratio Bl/√Re	0.7 N/√W
Ratio fs/Qts	689.44 Hz

### Electrical Data

Nominal impedance [Zn]	8 Ω
Minimum impedance [Zmin]	7.8 Ω
Maximum impedance [Zo]	13 Ω
DC resistance [Re]	7.3 Ω
Voice coil inductance [Le]	0.042 mH

### Power Handling

100h RMS noise test (IEC 17.1)	15 W
Long-term max power (IEC 17.3)	- W

### Voice Coil & Magnet Data

Voice coil diameter	19.4 mm
Voice coil height	1.7 mm
Voice coil layers	2
Height of gap	2 mm
Linear excursion	± 0.15 mm
Max mech. excursion	± - mm
Unit weight	0.031 kg

