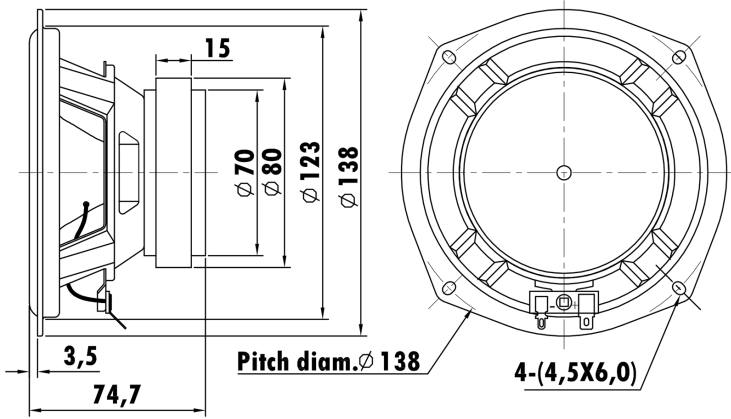


5.25", Steel Frame  
1" PESVW Voice Coil, Al Former  
Paper Cone, Rubber Surround  
Strong Ferrite Magnet Motor System  
Linear Spider  
VC Former and Basket Vent, Low Distortion (<3%)



### T-S Parameters

Resonance frequency [fs]	67 Hz
Mechanical Q factor [Qms]	8.60
Electrical Q factor [Qes]	0.72
Total Q factor [Qts]	0.67
Force factor [Bl]	6.65 Tm
Mechanical resistance [Rms]	0.94 kg/s
Moving mass [Mms]	19.27 g
Compliance [Cms]	0.29 mm/N
Effective diaph. diameter [D]	110 mm
Effective piston area [Sd]	95.0 cm <sup>2</sup>
Equivalent volume [Vas]	3.74 l
Sensitivity (2.83V/1m)	87 dB
Ratio Bl/√Re	3.36 N/√W
Ratio fs/Qts	100 Hz

### Electrical Data

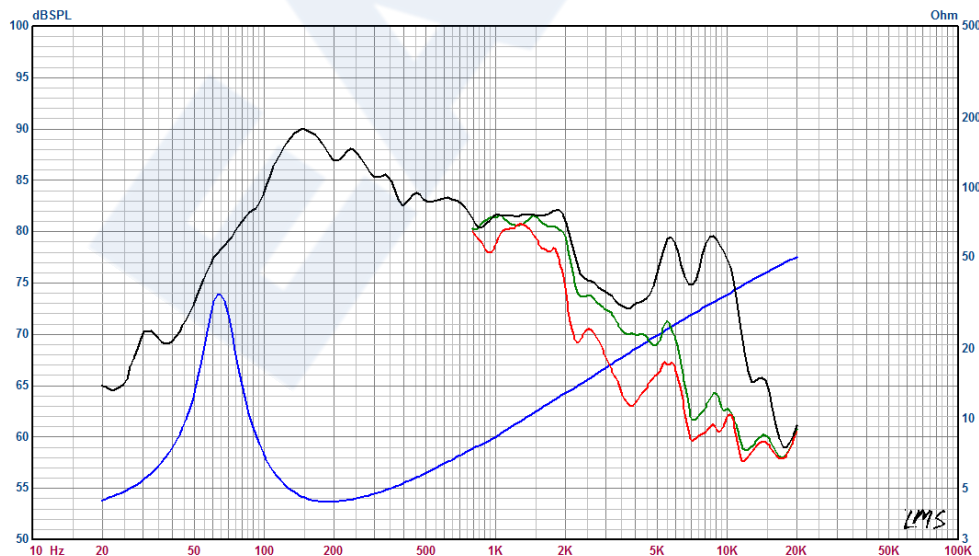
Nominal impedance [Zn]	4 $\Omega$
Minimum impedance [Zmin]	4.5 $\Omega$
Maximum impedance [Zo]	39.8 $\Omega$
DC resistance [Re]	3.9 $\Omega$
Voice coil inductance [Le]	0.51 mH

### Power Handling

100h RMS noise test (IEC 17.1)	30 W
Long-term max power (IEC 17.3)	- W

### Voice Coil & Magnet Data

Voice coil diameter	25.4 mm
Voice coil height	9.8 mm
Voice coil layers	4
Height of gap	5 mm
Linear excursion	$\pm$ 2.4 mm
Max mech. excursion	$\pm$ - mm
Unit weight	0.703 kg



60° Off- axis  
30° Off- axis  
On - axis