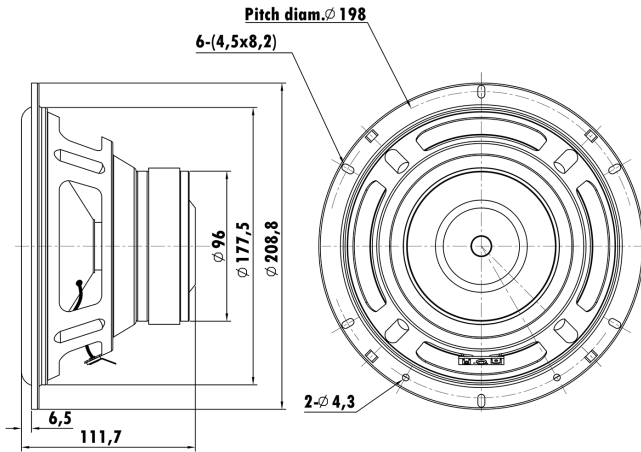


8", Steel Frame
1.2" PESVW Voice Coil, Al Former
Paper Cone, Rubber Surround, Long Excursion(±5.4mm)
Strong Ferrite Magnet Motor System
Pole Piece Vent, Low Distortion(<3%)



T-S Parameters

Resonance frequency [fs]	38 Hz
Mechanical Q factor [Qms]	6.519
Electrical Q factor [Qes]	0.524
Total Q factor [Qts]	0.485
Force factor [Bl]	8.994 Tm
Mechanical resistance [Rms]	1.931 kg/s
Moving mass [Mms]	50.146 g
Compliance [Cms]	0.352 mm/N
Effective diaph. diameter [D]	160 mm
Effective piston area [Sd]	201.06 cm ²
Equivalent volume [Vas]	20.125 l
Sensitivity (2.83V/1m)	87 dB
Ratio Bl/√Re	4.81 N/√W
Ratio fs/Qts	78.35 Hz

Electrical Data

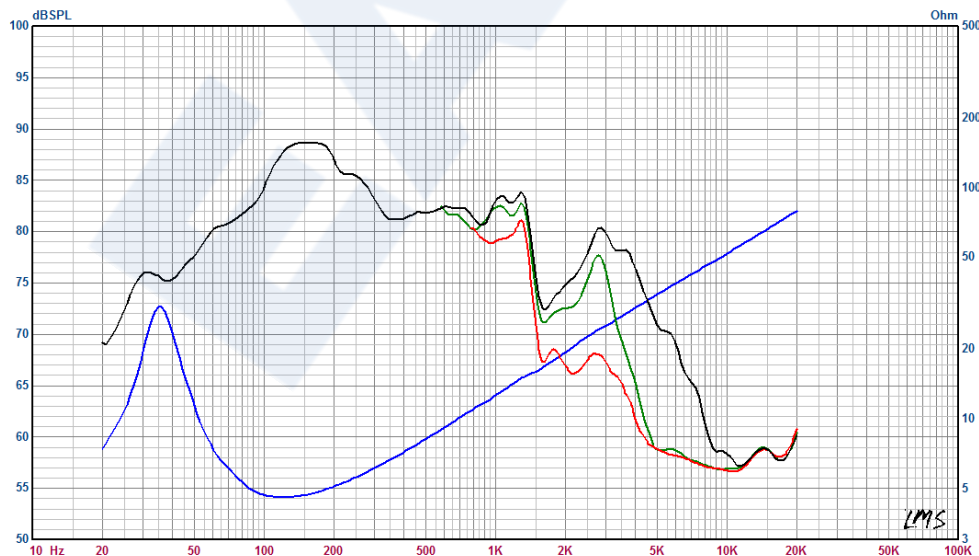
Nominal impedance [Zn]	4 Ω
Minimum impedance [Zmin]	4.5 Ω
Maximum impedance [Zo]	32 Ω
DC resistance [Re]	3.5 Ω
Voice coil inductance [Le]	1.332 mH

Power Handling

100h RMS noise test (IEC 17.1)	50 W
Long-term max power (IEC 17.3)	- W

Voice Coil & Magnet Data

Voice coil diameter	30.5 mm
Voice coil height	18.8 mm
Voice coil layers	4
Height of gap	8 mm
Linear excursion	± 5.4 mm
Max mech. excursion	± - mm
Unit weight	1.828 kg



- 60° Off- axis
- 30° Off- axis
- On - axis