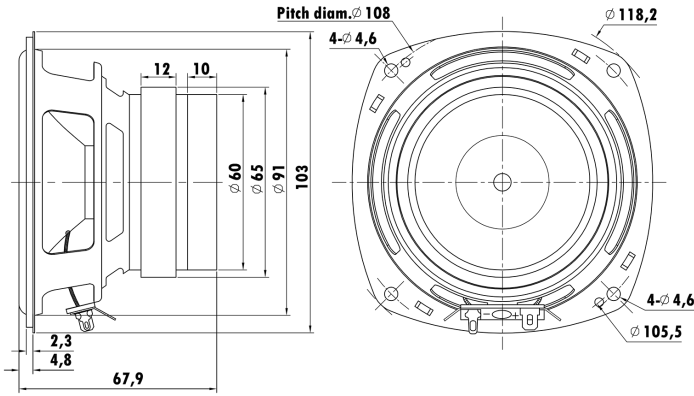


4", Steel Frame  
0.8" PESVW Voice Coil, Al Former  
Paper Cone, Rubber Surround  
Dual Ferrite Magnet Motor System  
Linear Spider, VC Former and Basket Vent  
Wide Frequency Range, Low Distortion(<3%)



### T-S Parameters

Resonance frequency [fs]	83 Hz
Mechanical Q factor [Qms]	5.03
Electrical Q factor [Qes]	1.47
Total Q factor [Qts]	1.14
Force factor [Bl]	3.79 Tm
Mechanical resistance [Rms]	0.57 kg/s
Moving mass [Mms]	5.46 g
Compliance [Cms]	0.67 mm/N
Effective diaph. diameter [D]	83.5 mm
Effective piston area [Sd]	54.8 cm <sup>2</sup>
Equivalent volume [Vas]	2.84 l
Sensitivity (2.83V/1m)	82 dB
Ratio Bl/√Re	1.40 N/√W
Ratio fs/Qts	73.2 Hz

### Electrical Data

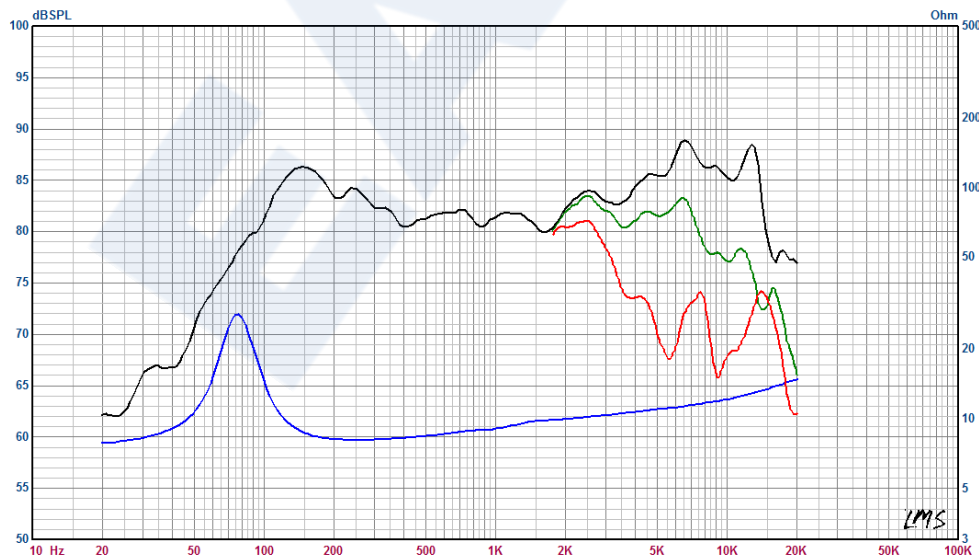
Nominal impedance [Zn]	8 Ω
Minimum impedance [Zmin]	7.9 Ω
Maximum impedance [Zo]	30.0 Ω
DC resistance [Re]	7.4 Ω
Voice coil inductance [Le]	0.09 mH

### Power Handling

100h RMS noise test (IEC 17.1)	5 W
Long-term max power (IEC 17.3)	10 W

### Voice Coil & Magnet Data

Voice coil diameter	20.32 mm
Voice coil height	10.4 mm
Voice coil layers	2
Height of gap	4 mm
Linear excursion	± 3.2 mm
Max mech. excursion	± - mm
Unit weight	0.503 kg



- 60° Off- axis
- 30° Off- axis
- On - axis