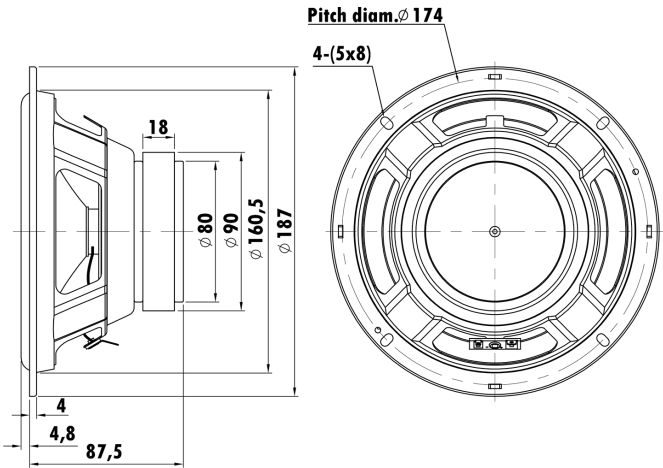


7", Steel Frame
1.0" PESVW Voice Coil, Polyimide Former
Paper Cone, Cloth surround
Ferrite Magnet Motor System



T-S Parameters

Resonance frequency [fs]	65.7 Hz
Mechanical Q factor [Qms]	16.2
Electrical Q factor [Qes]	0.85
Total Q factor [Qts]	0.81
Force factor [Bl]	5.2 Tm
Mechanical resistance [Rms]	0.39 kg/s
Moving mass [Mms]	15.4 g
Compliance [Cms]	0.38 mm/N
Effective diaph. diameter [D]	144 mm
Effective piston area [Sd]	162.8 cm ²
Equivalent volume [Vas]	14.24 l
Sensitivity (2.83V/1m)	91 dB
Ratio Bl/√Re	1.2 N/√W
Ratio fs/Qts	80.7 Hz

Electrical Data

Nominal impedance [Zn]	4 Ω
Minimum impedance [Zmin]	3.9 Ω
Maximum impedance [Zo]	35 Ω
DC resistance [Re]	3.6 Ω
Voice coil inductance [Le]	0.35 mH

Power Handling

100h RMS noise test (IEC 17.1)	5 W
Long-term max power (IEC 17.3)	60 W

Voice Coil & Magnet Data

Voice coil diameter	25.4 mm
Voice coil height	9.3 mm
Voice coil layers	2
Height of gap	5 mm
Linear excursion	± 2.15 mm
Max mech. excursion	± - mm
Unit weight	1.1 kg

