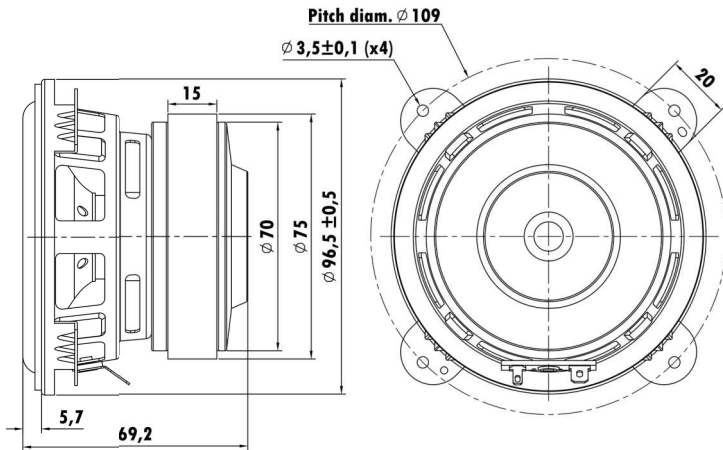


3.5", Steel Frame
1" PESVCCA Voice Coil, Aluminum Former
Mica Diaphragm, Santoprene Surround
Strong Ferrite Magnet Motor System
Aluminum-shorting Ring



T-S Parameters

Resonance frequency [fs]	83.7 Hz
Mechanical Q factor [Qms]	6.05
Electrical Q factor [Qes]	0.88
Total Q factor [Qts]	0.77
Force factor [Bl]	3.77 Tm
Mechanical resistance [Rms]	0.61 kg/s
Moving mass [Mms]	7.03 g
Compliance [Cms]	0.51 mm/N
Effective diaph. diameter [D]	72.77 mm
Effective piston area [Sd]	41.51 cm ²
Equivalent volume [Vas]	1.2543 l
Sensitivity (2.83V/1m)	83 dB
Ratio Bl/√Re	2.05 N/√W
Ratio fs/Qts	108.7 Hz

Electrical Data

Nominal impedance [Zn]	4 Ω
Minimum impedance [Zmin]	4.51 Ω
Maximum impedance [Zo]	22.8 Ω
DC resistance [Re]	3.38 Ω
Voice coil inductance [Le]	0.25 mH

Power Handling

100h RMS noise test (IEC 18.4)	10 W
Long-term max power (IEC 18.2)	25 W

Voice Coil & Magnet Data

Voice coil diameter	25.4 mm
Voice coil height	19.1 mm
Voice coil layers	2
Height of gap	5 mm
Linear excursion	± 7.05 mm
Max mech. excursion	± - mm
Unit weight	0.708 kg

