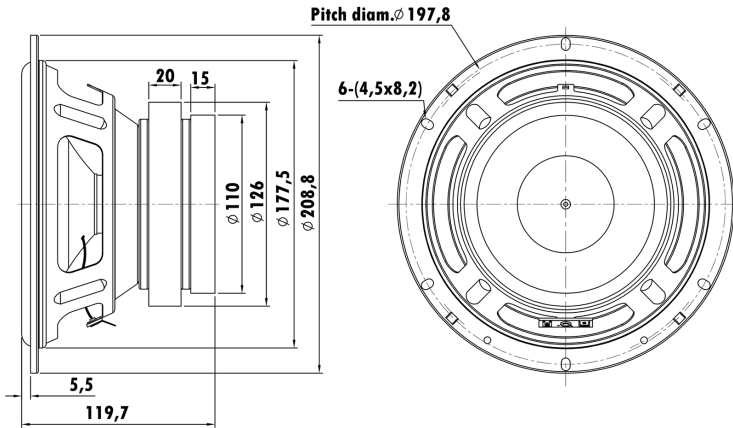


8", Steel Frame  
 1.4" 1-PISV2W Voice Coil, GFB-P Former  
 Paper Cone, FOAM Surround  
 Dual Ferrite Magnet Motor System  
 High Sensitivity



### T-S Parameters

Resonance frequency [fs]	66.3 Hz
Mechanical Q factor [Qms]	18.897
Electrical Q factor [Qes]	0.782
Total Q factor [Qts]	0.751
Force factor [Bl]	9.814 Tm
Mechanical resistance [Rms]	0.667 kg/s
Moving mass [Mms]	30.260 g
Compliance [Cms]	0.190 mm/N
Effective diaph. diameter [D]	160.3 mm
Effective piston area [Sd]	206.12 cm <sup>2</sup>
Equivalent volume [Vas]	11.4379 l
Sensitivity (2.83V/1m)	92 dB
Ratio Bl/√Re	4.016 N/√W
Ratio fs/Qts	88.2 Hz

### Electrical Data

Nominal impedance [Zn]	7 Ω
Minimum impedance [Zmin]	6.053 Ω
Maximum impedance [Zo]	81.278 Ω
DC resistance [Re]	5.97 Ω
Voice coil inductance [Le]	0.701 mH

### Power Handling

100h RMS noise test (IEC 17.1)	50 W
Long-term max power (IEC 17.3)	- W

### Voice Coil & Magnet Data

Voice coil diameter	35.5 mm
Voice coil height	14.6 mm
Voice coil layers	2
Height of gap	6 mm
Linear excursion	± 4.3 mm
Max mech. excursion	± - mm
Unit weight	2.655 kg

