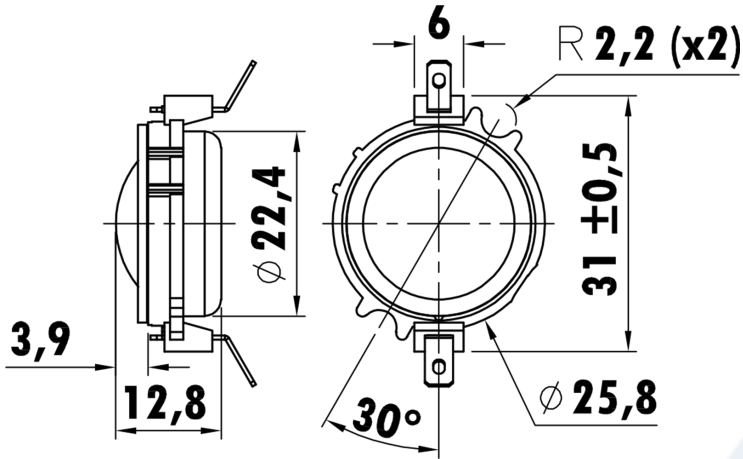


0.6", Plastic Frame  
0.6" CCAW Voice Coil , Aluminum Former  
Silk Diaphragm , FIXED Surround  
Neodymium Magnet Motor System



### T-S Parameters

Resonance frequency [fs]	2100 Hz
Mechanical Q factor [Qms]	2.53
Electrical Q factor [Qes]	4.14
Total Q factor [Qts]	1.575
Force factor [Bl]	1.435 Tm
Mechanical resistance [Rms]	0.788 kg/s
Moving mass [Mms]	0.151 g
Compliance [Cms]	0.038 mm/N
Effective diaph. diameter [D]	18.5 mm
Effective piston area [Sd]	2.69 cm <sup>2</sup>
Equivalent volume [Vas]	0.0004 l
Sensitivity (2.83V/1m)	86 dB
Ratio Bl/√Re	0.708 N/√W
Ratio fs/Qts	1333 Hz

### Electrical Data

Nominal impedance [Zn]	4 Ω
Minimum impedance [Zmin]	4.3 Ω
Maximum impedance [Zo]	6.13 Ω
DC resistance [Re]	4.1 Ω
Voice coil inductance [Le]	0.030 mH

### Power Handling

100h RMS noise test (IEC 17.1)	10 W
Long-term max power (IEC 17.3)	- W

### Voice Coil & Magnet Data

Voice coil diameter	16.4 mm
Voice coil height	2 mm
Voice coil layers	2
Height of gap	2 mm
Linear excursion	± 0 mm
Max mech. excursion	± - mm
Unit weight	0.023 kg

