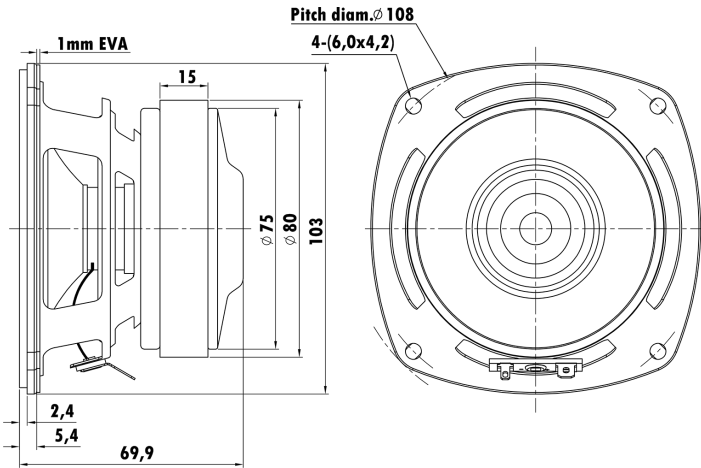


4", Steel Frame  
1" PESVW Voice Coil, Polyimide Former  
Paper Cone, Rubber Surround  
Ferrite Magnet Motor System



### T-S Parameters

Resonance frequency [fs]	82.3 Hz
Mechanical Q factor [Qms]	5.32
Electrical Q factor [Qes]	0.55
Total Q factor [Qts]	0.49
Force factor [Bl]	4.83 Tm
Mechanical resistance [Rms]	0.76 kg/s
Moving mass [Mms]	7.8 g
Compliance [Cms]	0.47 mm/N
Effective diaph. diameter [D]	83.5 mm
Effective piston area [Sd]	54.7 cm <sup>2</sup>
Equivalent volume [Vas]	2.02 l
Sensitivity (2.83V/1m)	89 dB
Ratio Bl/√Re	1.23 N/√W
Ratio fs/Qts	167.9 Hz

### Electrical Data

Nominal impedance [Zn]	4 Ω
Minimum impedance [Zmin]	3.9 Ω
Maximum impedance [Zo]	22.4 Ω
DC resistance [Re]	3.2 Ω
Voice coil inductance [Le]	0.32 mH

### Power Handling

100h RMS noise test (IEC 17.1)	40 W
Long-term max power (IEC 17.3)	- W

### Voice Coil & Magnet Data

Voice coil diameter	25.4 mm
Voice coil height	11.4 mm
Voice coil layers	2
Height of gap	5 mm
Linear excursion	± 3.2 mm
Max mech. excursion	± - mm
Unit weight	0.73 kg

