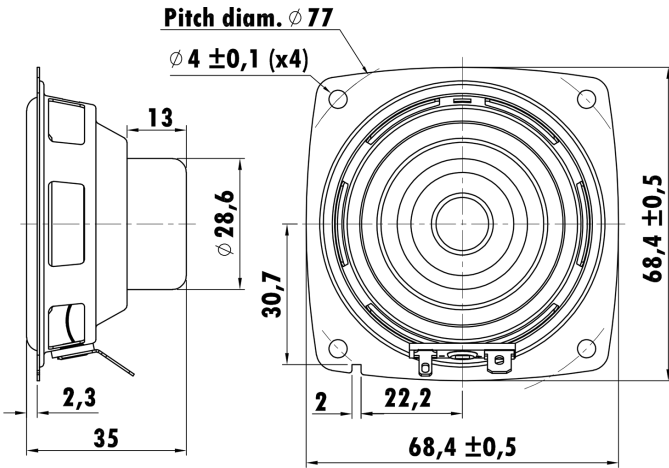


2.5", Steel Frame
0.8" CCAW Voice Coil, Kapton Former
Paper Cone, Cloth Surround
Dual Neodymium Magnet Motor System
High Sensitivity



T-S Parameters

Resonance frequency [fs]	238 Hz
Mechanical Q factor [Qms]	8.764
Electrical Q factor [Qes]	1.140
Total Q factor [Qts]	1.009
Force factor [Bl]	2.952 Tm
Mechanical resistance [Rms]	0.323 kg/s
Moving mass [Mms]	1.892 g
Compliance [Cms]	0.236 mm/N
Effective diaph. diameter [D]	55 mm
Effective piston area [Sd]	23.76 cm ²
Equivalent volume [Vas]	0.1883 l
Sensitivity (2.83V/1m)	86 dB
Ratio Bl/√Re	1.57 N/√W
Ratio fs/Qts	235 Hz

Electrical Data

Nominal impedance [Zn]	4 Ω
Minimum impedance [Zmin]	3.8 Ω
Maximum impedance [Zo]	28.9 Ω
DC resistance [Re]	3.5 Ω
Voice coil inductance [Le]	0.096 mH

Power Handling

100h RMS noise test (IEC 18.4)	3 W
Long-term max power (IEC 18.2)	- W

Voice Coil & Magnet Data

Voice coil diameter	20.32 mm
Voice coil height	4.9 mm
Voice coil layers	2
Height of gap	4 mm
Linear excursion	± 0.45 mm
Max mech. excursion	± - mm
Unit weight	0.089 kg

