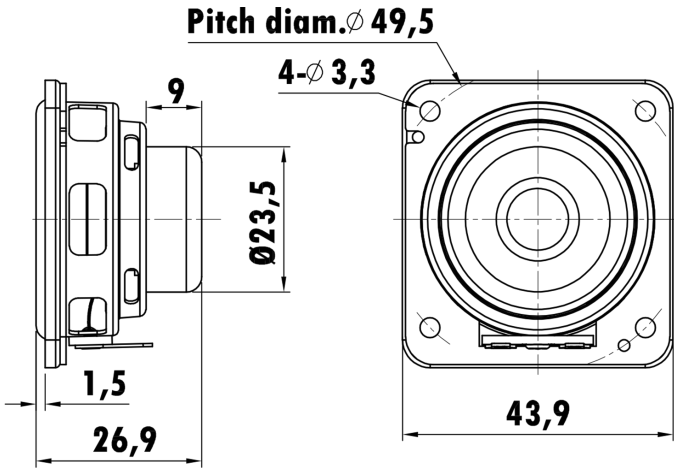


1.75", Steel Frame
 0.6" CCAW Voice Coil, Kapton Former
 Paper Cone, TPU Surround
 Dual Neodymium Magnet Motor System
 Waterproof Driver



T-S Parameters

Resonance frequency [fs]	250.2 Hz
Mechanical Q factor [Qms]	6.87
Electrical Q factor [Qes]	0.747
Total Q factor [Qts]	0.673
Force factor [Bl]	2.254 Tm
Mechanical resistance [Rms]	0.166 kg/s
Moving mass [Mms]	0.727 g
Compliance [Cms]	0.556 mm/N
Effective diaph. diameter [D]	34.2 mm
Effective piston area [Sd]	9.19 cm ²
Equivalent volume [Vas]	0.0665 l
Sensitivity (2.83V/1m)	84 dB
Ratio Bl/√Re	1.237 N/√W
Ratio fs/Qts	37.177 Hz

Electrical Data

Nominal impedance [Zn]	4 Ω
Minimum impedance [Zmin]	3.478 Ω
Maximum impedance [Zo]	23.266 Ω
DC resistance [Re]	3.32 Ω
Voice coil inductance [Le]	0.075 mH

Power Handling

100h RMS noise test (IEC 17.1)	2 W
Long-term max power (IEC 17.3)	- W

Voice Coil & Magnet Data

Voice coil diameter	16.28 mm
Voice coil height	2.3 mm
Voice coil layers	4
Height of gap	2 mm
Linear excursion	± 0.15 mm
Max mech. excursion	± - mm
Unit weight	0.044 kg

