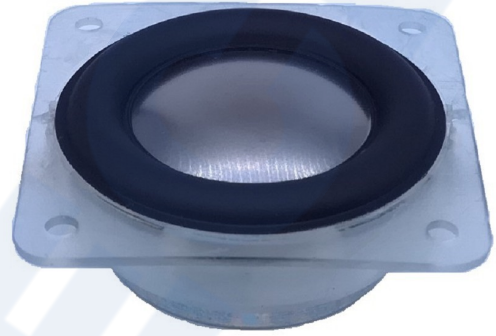
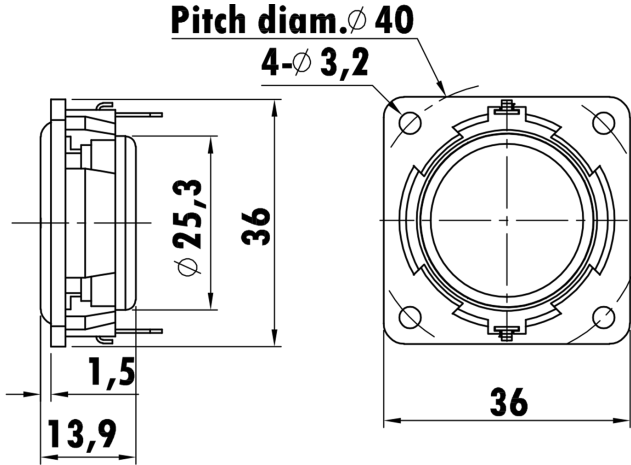


1.2", Plastic Frame
0.8" CCAW Voice Coil, Aluminum Former
Titanium Dome with Polyurethane Surround
Neodymium Magnet Motor System
Frequency Response Extended to 10 kHz
Spider-less



Prototype

T-S Parameters

Resonance frequency [fs]	254 Hz
Mechanical Q factor [Qms]	1.76
Electrical Q factor [Qes]	0.57
Total Q factor [Qts]	0.43
Force factor [Bl]	2.17 Tm
Mechanical resistance [Rms]	0.41 kg/s
Moving mass [Mms]	0.45 g
Compliance [Cms]	0.85 mm/N
Effective diaph. diameter [D]	25 mm
Effective piston area [Sd]	4.91 cm ²
Equivalent volume [Vas]	0.029 l
Sensitivity (2.83V/1m)	82.5 dB
Ratio Bl/√Re	1.13 N/√W
Ratio fs/Qts	585 Hz

Electrical Data

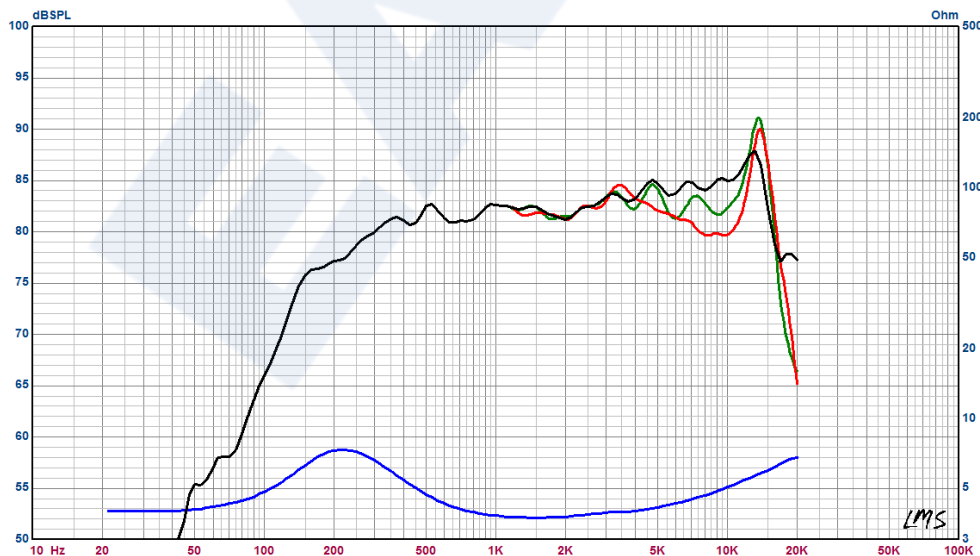
Nominal impedance [Zn]	4 Ω
Minimum impedance [Zmin]	3.7 Ω
Maximum impedance [Zo]	7.3 Ω
DC resistance [Re]	3.7 Ω
Voice coil inductance [Le]	0.05 mH

Power Handling

100h RMS noise test (IEC 17.1)	1.5 W
Long-term max power (IEC 17.3)	2 W

Voice Coil & Magnet Data

Voice coil diameter	20.32 mm
Voice coil height	1.8 mm
Voice coil layers	4
Height of gap	1.5 mm
Linear excursion	± 0.15 mm
Max mech. excursion	± - mm
Unit weight	0.0264 kg



- 60° Off- axis
- 30° Off- axis
- On - axis